

IMPORTANT NOTE

THIS CRANKED PIPE KIT IS SUITABLE FOR USE WITH CHIMNEYS THAT MEET THE REQUIREMENTS AS DETAILED BELOW AND ON THE PROCEEDING PAGES.

Part No. 1188-1028585

Issue 1

12-01-2021

Portway Luxima Cranked Pipe Kit Installation Instructions

The Cranked pipe kit is suitable for use in chimneys that are of a depth that results in additional clearance being required between the top flue outlet and the structural lintel across the front of the opening. Figure 1 & 2 below and overpage shows the generic cranked pipe flue kit installation requirements with a flue liner into a chimney without an integral clay liner, figure 3 & 4 show installation requirements into a chimney with an integral clay liner and figure 5 & 6 shows installation requirements into a chimney without an integral clay liner but utilising the flueless liner kit.

Fig. 1 - Cranked pipe flue kit into fully lined chimney

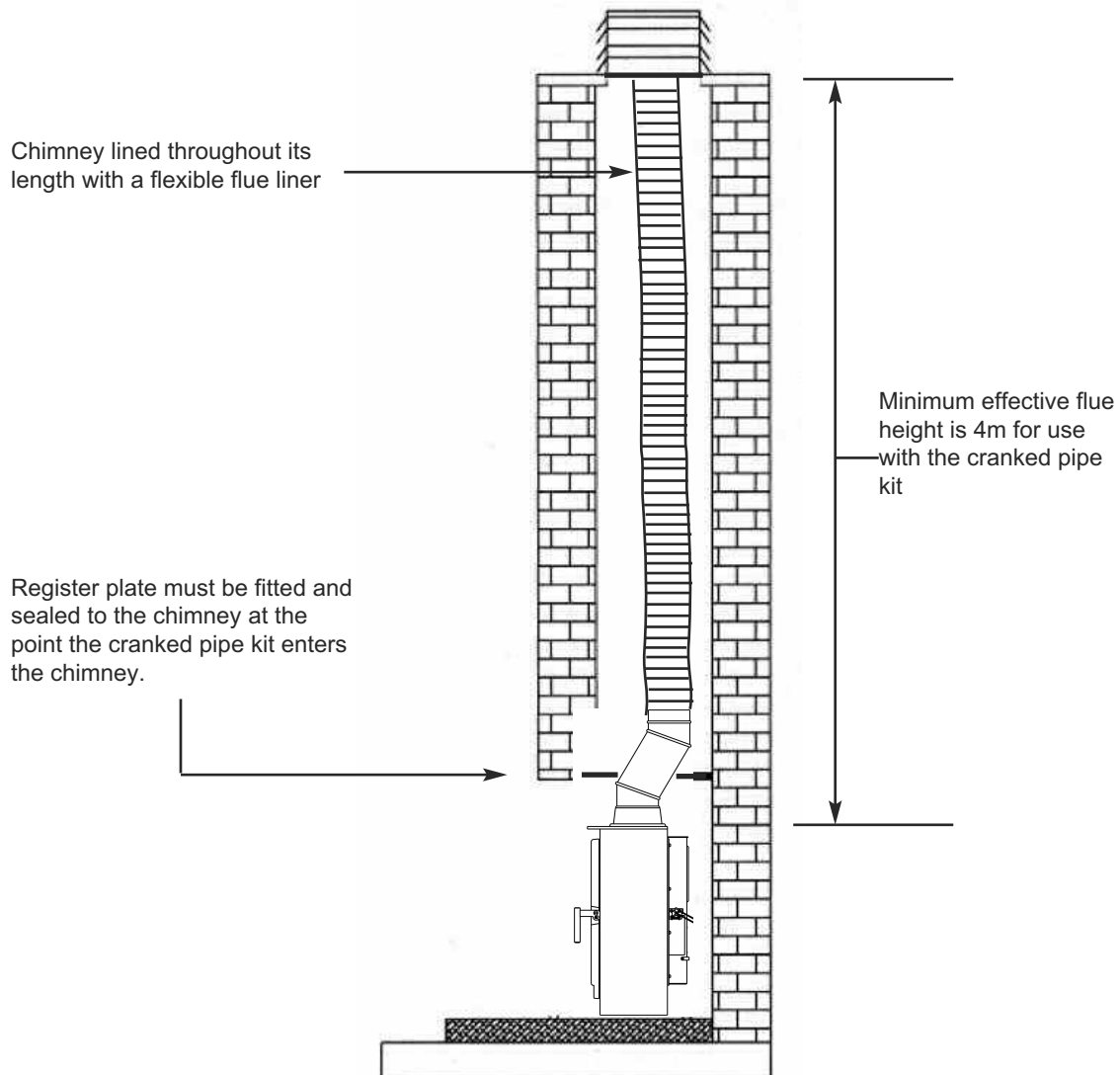
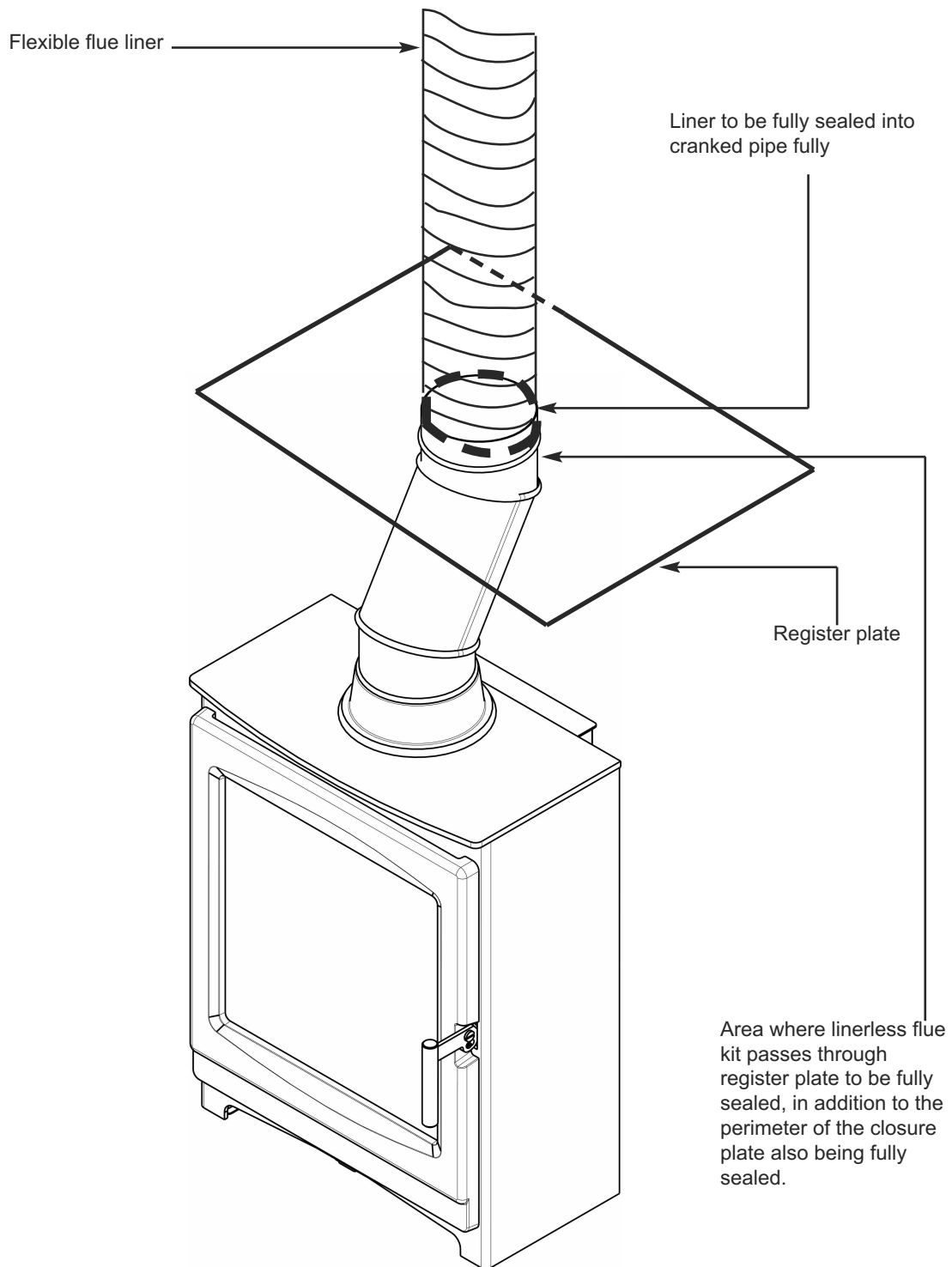


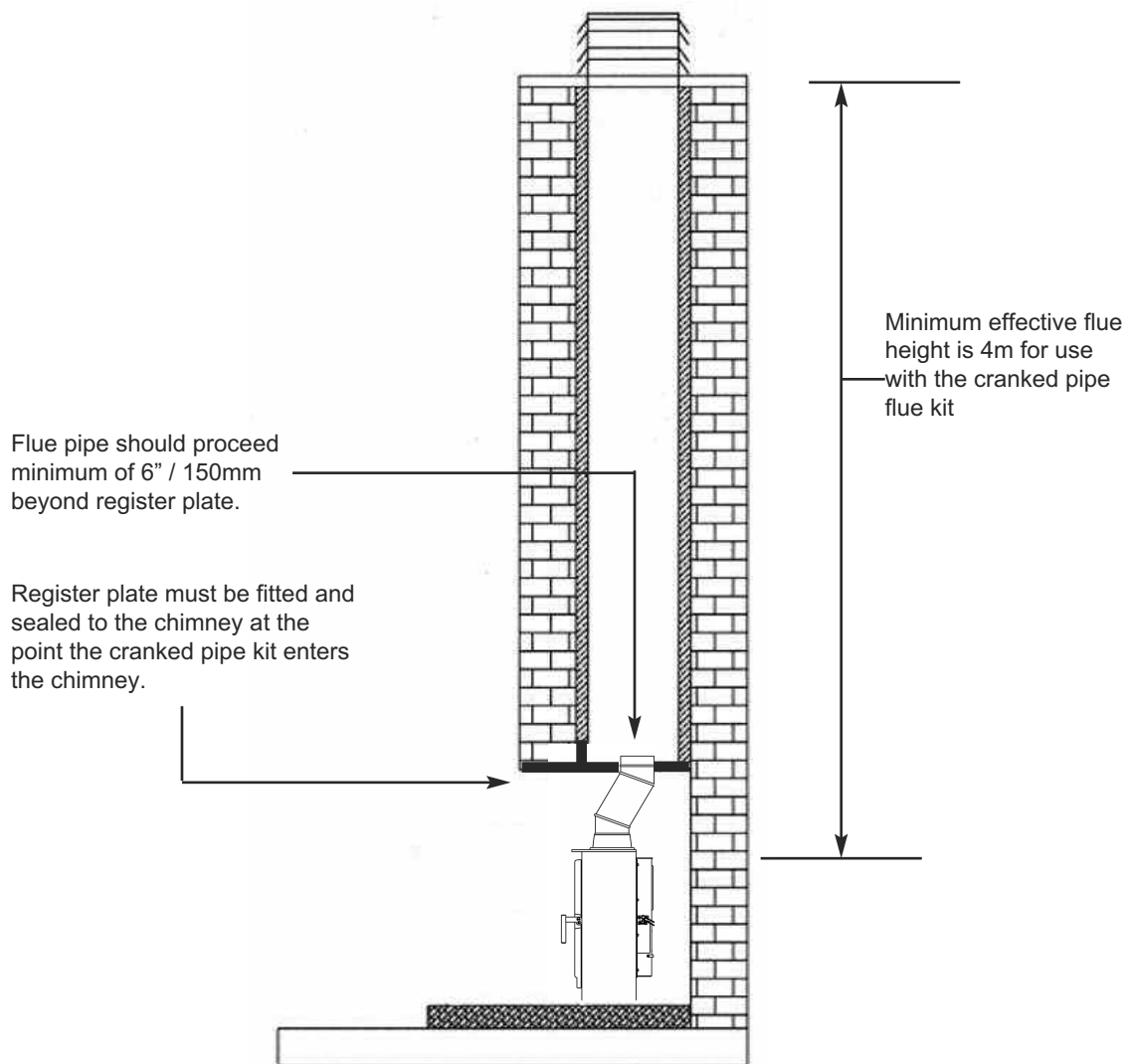
Fig. 2 - Cranked pipe flue kit into fully lined chimney - detailed requirements



IMPORTANT NOTE : INSTALLATION OF THE CRANKED PIPE KIT IS SUBJECT TO THESE INSTRUCTIONS BEING STRICTLY ADHERED TO AND TO COMPLETION OF A SATISFACTORY SPILLAGE TEST AS DETAILED IN THE MAIN INSTRUCTION MANUAL.

DO NOT PROCEED WITH COMMISSIONING THE STOVE UNLESS ALL REQUIREMENTS FOR INSTALLATION OF THIS KIT ARE MET.

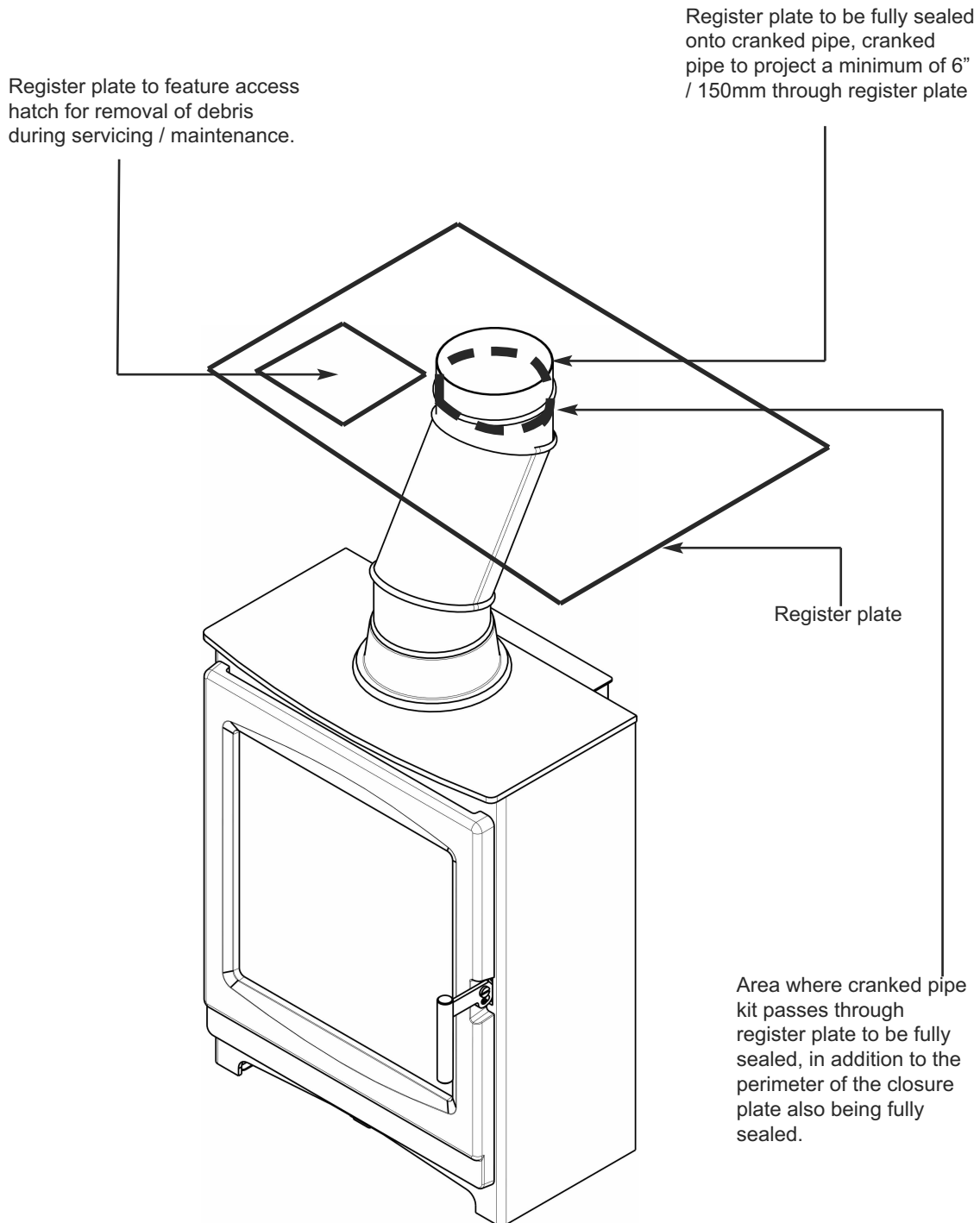
Fig. 3 - Cranked pipe flue kit into un-lined chimney with integral clay liner



IMPORTANT NOTE : INSTALLATION OF THE CRANKED PIPE KIT IS SUBJECT TO THESE INSTRUCTIONS BEING STRICTLY ADHERED TO AND TO COMPLETION OF A SATISFACTORY SPILLAGE TEST AS DETAILED IN THE MAIN INSTRUCTION MANUAL.

DO NOT PROCEED WITH COMMISSIONING THE STOVE UNLESS ALL REQUIREMENTS FOR INSTALLATION OF THIS KIT ARE MET.

Fig. 4 - Cranked pipe flue kit into chimney with Integral clay liner - detailed requirements.



IMPORTANT NOTE : INSTALLATION OF THE CRANKED PIPE KIT IS SUBJECT TO THESE INSTRUCTIONS BEING STRICTLY ADHERED TO AND TO COMPLETION OF A SATISFACTORY SPILLAGE TEST AS DETAILED IN THE MAIN INSTRUCTION MANUAL.

DO NOT PROCEED WITH COMMISSIONING THE STOVE UNLESS ALL REQUIREMENTS FOR INSTALLATION OF THIS KIT ARE MET.

Fig. 5 - Cranked pipe flue kit into un-lined chimney with linerless flue kit

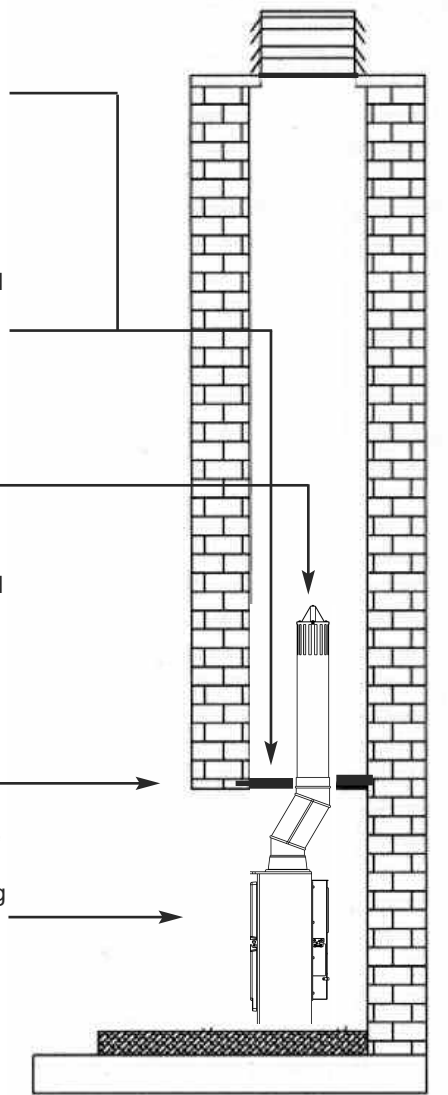
It is recommended that a register plate with a removable access plate is fitted to allow debris to be cleared during future servicing. Alternatively the register plate and / or product can be removed to complete this procedure

Register plate must be fitted and sealed to the chimney at the point the linerless kit enters the chimney.

Minimum 50mm clearance must be maintained around the flue outlet

Register plate must be fitted and sealed to the chimney at the point the cranked pipe kit enters the chimney.

Label as supplied in the kit to be completed by the installer and attached to the fireplace opening in a suitably visible position to advise the stove is fitted to an un-lined chimney



Maximum Chimney Height must not exceed 12m on internal or 10m on external chimney

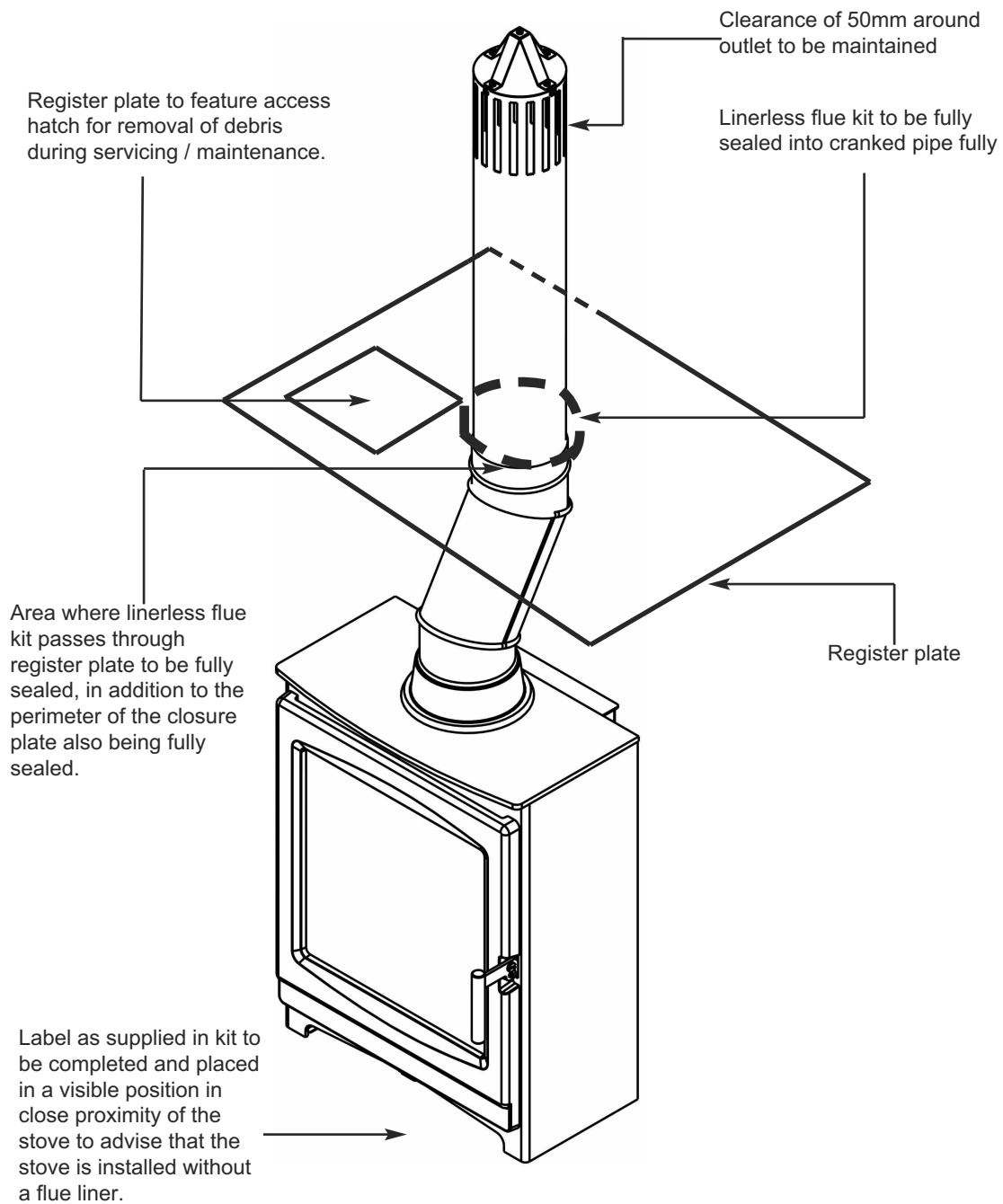
Minimum effective flue height is 5m for use with the cranked pipe flue kit in conjunction with the linerless flue kit, it may also be necessary to remove the flue restrictor plate, subject to spillage tests.

IMPORTANT NOTE : INSTALLATION OF THE CRANKED PIPE AND LINERLESS FLUE KIT IS SUBJECT TO THESE INSTRUCTIONS BEING STRICTLY ADHERED TO AND TO COMPLETION OF A SATISFACTORY SPILLAGE TEST AS DETAILED IN THE MAIN INSTRUCTION MANUAL.

THE LINERLESS FLUE KIT SET-UP IS NOT SUITABLE FOR CHIMNEYS WHOSE HEIGHT EXCEEDS 10 METRES ON AN EXTERNAL CHIMNEY AND 12 METRES ON AN INTERNAL CHIMNEY.

DO NOT PROCEED WITH COMMISSIONING THE STOVE UNLESS ALL REQUIREMENTS FOR INSTALLATION OF THIS KIT ARE MET.

Fig. 6 Cranked pipe flue kit into un-lined chimney with linerless flue kit - detailed requirements.



IMPORTANT NOTE : INSTALLATION OF THE CRANKED PIPE AND LINERLESS FLUE KIT IS SUBJECT TO THESE INSTRUCTIONS BEING STRICTLY ADHERED TO AND TO COMPLETION OF A SATISFACTORY SPILLAGE TEST AS DETAILED IN THE MAIN INSTRUCTION MANUAL.

THE LINERLESS FLUE KIT SET-UP IS NOT SUITABLE FOR CHIMNEYS WHOSE HEIGHT EXCEEDS 10 METRES ON AN EXTERNAL CHIMNEY AND 12 METRES ON AN INTERNAL CHIMNEY.

DO NOT PROCEED WITH COMMISSIONING THE STOVE UNLESS ALL REQUIREMENTS FOR INSTALLATION OF THIS KIT ARE MET.